

## EB20HE-G4



The Ecoboiler range has been designed with high performance, efficiency and ease of use in mind.

Providing a truly economical and reliable alternative to the more traditional central heating system, the Ecoboiler is a sustainable option as well as an attractive and stylish focal point for any living area.



Stratford 5 Year Guarantee



## EB20HE-G4 Information

Code	EB20HE-G4
Maximum Output to Water (solid fuel):	20kW
Maximum Output to Water (solid fuel):	68280BTU
Maximum Output to Water (wood):	17kW
Maximum Output to Water (wood):	58038BTU
Nominal Output to Room:	3 - 10kW
Nett Efficiency (%):	70.5%
Height:	659mm
Width:	590mm
Depth:	443mm

## Features

- Burns wood and solid fuel
- Large curved glass
- Pre-heated airwash system for sparkling clean glass
- Flue Exhaust Diversion System to improve performance
- Discretely positioned thermostatic control fitted as standard
- Accessible water sensor for easy maintenance
- Large riddling grate
- Stainless steel ash pan
- Self-levelling rear legs
- Top or rear flue fitting
- 5 year limited guarantee for all boilers registered online
- Up to 3 Bar operating pressure
- Suitable for installation in an indirect/open vented central heating system.

## Accessories

- Arada Ash Carrier - Medium - [ARA017]
- Arada Universal Stand - [STAND002]
- Floor Fixing Kit - [AFS1135]
- Universal Stand/Log Store - [STAND004]

## EB20HE-G4 - Technical Information

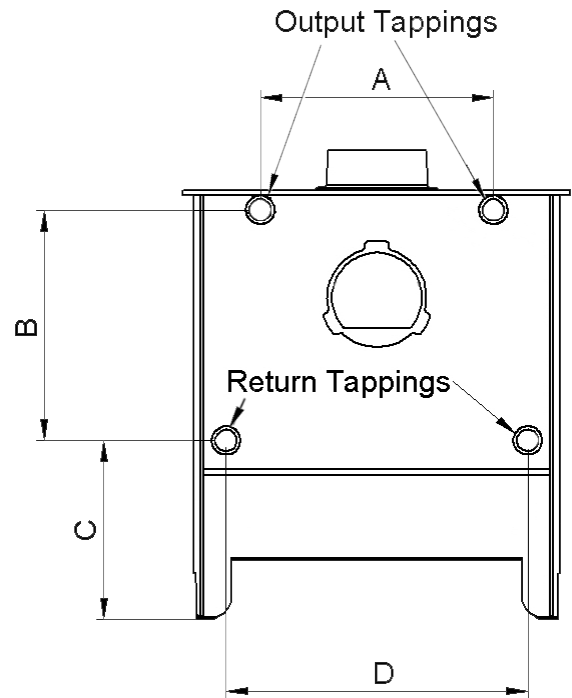
Code	EB20HE-G4
Minimum Nominal Output to Room:	3kW
Maximum Nominal Output to Room:	10kW
Maximum Output to Water (Solid Fuel):	20kW
Maximum Output to Water (Solid Fuel):	68280BTU
Maximum Output to Water (Wood):	17kW
Maximum Output to Water (Wood):	58038BTU
Nett Efficiency:	70.5 %
Height:	659mm
Width:	590mm
Depth:	443mm
Height to Centre of Rear Flue:	498mm
Added Height When on Stand:	200mm
Depth of Back to Centre of Top Flue:	152mm
Flue Diameter:	152mm
Suitable for 12mm Hearth:	No
Hearth Temperature:	135.6°C
Suitable for Direct Air Supply Kit:	No
Weight Packed:	180kg
Ideal Log Length:	405mm

## Minimum Distance To Combustibles

To Rear of Stove	200 mm
To Sides of Stove	150 mm

## Boiler Tapping Measurements

Distance A	340 mm
Distance B	362 mm
Distance C	268 mm
Distance D	457 mm



Freestanding Boiler Tapping Measurements.  
Rear view example shown. Not to scale.