

EB25HE-G4



The Eco boiler range has been designed with high performance, efficiency and ease of use in mind.

Providing a truly economical and reliable alternative to the more traditional central heating system, the Eco boiler is a sustainable option as well as an attractive and stylish focal point for any living area.



Stratford 5 Year Guarantee



EB25HE-G4 Information

Code	EB25HE-G4
Maximum Output to Water (solid fuel):	25kW
Maximum Output to Water (solid fuel):	85350BTU
Maximum Output to Water (wood):	21kW
Maximum Output to Water (wood):	71694BTU
Nominal Output to Room:	3.5 - 12kW
Nett Efficiency (%):	72.4%
Height:	725mm
Width:	678mm
Depth:	498mm

Features

- Burns wood and solid fuel
- Large curved glass
- Pre-heated airwash system for sparkling clean glass
- Flue Exhaust Diversion System to improve performance
- Discretely positioned thermostatic control fitted as standard
- Accessible water sensor for easy maintenance
- Large riddling grate
- Stainless steel ash pan
- Self-levelling rear legs
- Top or rear flue fitting
- 5 year limited guarantee for all boilers registered online
- Up to 3 Bar operating pressure
- Suitable for installation in an indirect/open vented central heating system.

Accessories

- Arada Ash Carrier - Large - [ARA018]
- Arada Universal Stand - [STAND002]
- Floor Fixing Kit - [AFS1135]
- Universal Stand/Log Store - [STAND004]

EB25HE-G4 - Technical Information

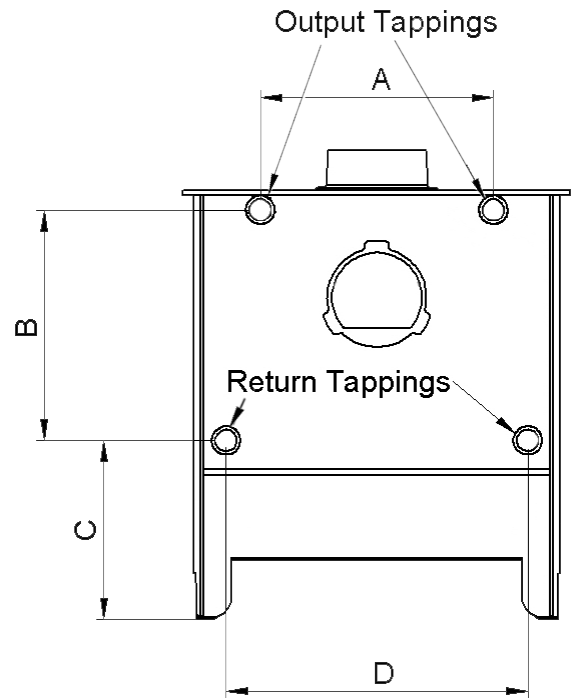
Code	EB25HE-G4
Minimum Nominal Output to Room:	3.5kW
Maximum Nominal Output to Room:	12kW
Maximum Output to Water (Solid Fuel):	25kW
Maximum Output to Water (Solid Fuel):	85350BTU
Maximum Output to Water (Wood):	21kW
Maximum Output to Water (Wood):	71694BTU
Nett Efficiency:	72.4 %
Height:	725mm
Width:	678mm
Depth:	498mm
Height to Centre of Rear Flue:	565mm
Added Height When on Stand:	200mm
Depth of Back to Centre of Top Flue:	152mm
Flue Diameter:	152mm
Suitable for 12mm Hearth:	No
Hearth Temperature:	138.9°C
Suitable for Direct Air Supply Kit:	No
Weight Packed:	195kg
Ideal Log Length:	450mm

Minimum Distance To Combustibles

To Rear of Stove	200 mm
To Sides of Stove	150 mm

Boiler Tapping Measurements

Distance A	390 mm
Distance B	416 mm
Distance C	280 mm
Distance D	544 mm



Freestanding Boiler Tapping Measurements.
Rear view example shown. Not to scale.