

EB9HE-G4



The Eco boiler range has been designed with high performance, efficiency and ease of use in mind.

Providing a truly economical and reliable alternative to the more traditional central heating system, the Eco boiler is a sustainable option as well as an attractive and stylish focal point for any living area.



Stratford 5 Year Guarantee



EB9HE-G4 Information

Code	EB9HE-G4
Maximum Output to Water (solid fuel):	9kW
Maximum Output to Water (solid fuel):	30726BTU
Maximum Output to Water (wood):	7.5kW
Maximum Output to Water (wood):	25605BTU
Nominal Output to Room:	1.5 - 3kW
Nett Efficiency (%):	75.2%
Height:	570mm
Width:	466mm
Depth:	417mm

Features

- Burns wood and solid fuel
- Large curved glass
- Pre-heated airwash system for sparkling clean glass
- Flue Exhaust Diversion System to improve performance
- Discretely positioned thermostatic control fitted as standard
- Accessible water sensor for easy maintenance
- Large riddling grate
- Stainless steel ash pan
- Self-levelling rear legs
- Top or rear flue fitting
- 5 year limited guarantee for all boilers registered online
- Up to 3 Bar operating pressure
- Suitable for installation in an indirect/open vented central heating system.

Accessories

- Arada Ash Carrier - Small - [ARA016]
- Arada Universal Stand - [STAND001]
- Floor Fixing Kit - [AFS1135]
- Universal Stand/Log Store - [STAND003]

EB9HE-G4 - Technical Information

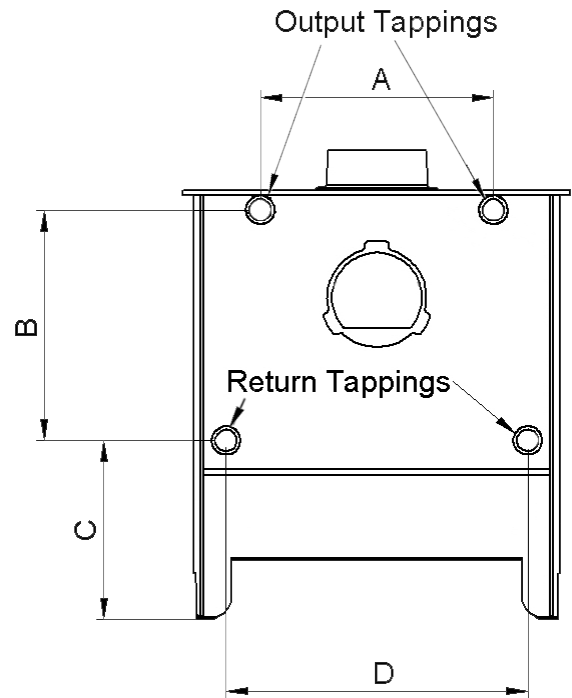
Code	EB9HE-G4
Minimum Nominal Output to Room:	1.5kW
Maximum Nominal Output to Room:	3kW
Maximum Output to Water (Solid Fuel):	9kW
Maximum Output to Water (Solid Fuel):	30726BTU
Maximum Output to Water (Wood):	7.5kW
Maximum Output to Water (Wood):	25605BTU
Nett Efficiency:	75.2 %
Height:	570mm
Width:	466mm
Depth:	417mm
Height to Centre of Rear Flue:	431mm
Added Height When on Stand:	125mm
Depth of Back to Centre of Top Flue:	144mm
Flue Diameter:	101mm
Suitable for 12mm Hearth:	No
Hearth Temperature:	89.0°C
Suitable for Direct Air Supply Kit:	No
Weight Packed:	112kg
Ideal Log Length:	280mm

Minimum Distance To Combustibles

To Rear of Stove	140 mm
To Sides of Stove	120 mm

Boiler Tapping Measurements

Distance A	260 mm
Distance B	288 mm
Distance C	255 mm
Distance D	356 mm



Freestanding Boiler Tapping Measurements.
Rear view example shown. Not to scale.