

EBW12



Our dedicated wood boiler features one of our biggest viewing glasses, providing an unhindered view of its glowing fire.

Featuring a modern design, clean-cut lines and a sleek handle, the wood boiler is certain to become the centre point of any room in an energy-conscious home.



Stratford 5 Year Guarantee



EBW12 Information

| | |
|---------------------------------|--------|
| Code | EBW12 |
| Maximum Output to Water (wood): | 11.8kW |
| Nett Efficiency (%): | 75.7% |
| Height: | 668mm |
| Width: | 680mm |
| Depth: | 582mm |

Features

- 5 year guarantee
- Easily accessible water sensor for trouble-free maintenance
- Pre-heated airwash system for sparkling clean glass
- Burns wood
- Discreetly positioned thermostatic control fitted as standard
- Flue Exhaust Diversion system to improve performance
- Primary and secondary burn to improve efficiency
- Suitable for installation in an indirect/ open-vented or sealed central heating system
- Up to 5 Bar operating pressure
- Integral cooling loop
- Eligible for 5% VAT
- Optional choice of door colours
- Direct air supply compatible

Accessories

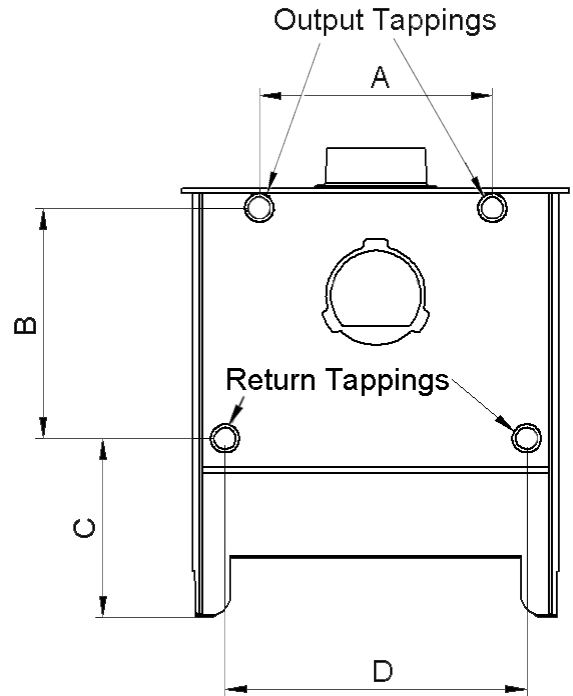
Arada Ash Carrier - Medium - [ARA017]

EBW12 - Technical Information

| | |
|--------------------------------------|--------|
| Code | EBW12 |
| Maximum Output to Water (Wood): | 11.8kW |
| Nett Efficiency: | 75.7 % |
| Height: | 668mm |
| Width: | 680mm |
| Depth: | 582mm |
| Depth of Back to Centre of Top Flue: | 90mm |
| Flue Diameter: | 152mm |
| Flue Outlet: | 152 |
| Suitable for 12mm Hearth: | No |
| Hearth Temperature: | 75°C |
| Suitable for Direct Air Supply Kit: | Yes |
| Ideal Log Length: | 500mm |

Boiler Tapping Measurements

| | |
|------------|--------|
| Distance A | 568 mm |
| Distance B | 346 mm |
| Distance C | 295 mm |
| Distance D | 568 mm |



Freestanding Boiler Tapping Measurements.
Rear view example shown. Not to scale.