

EB12HE-G4



The Ecoboiler range has been designed with high performance, efficiency and ease of use in mind.

Providing a truly economical and reliable alternative to the more traditional central heating system, the Ecoboiler is a sustainable option as well as an attractive and stylish focal point for any living area.



Stratford 5 Year Guarantee



EB12HE-G4 Information

Code	EB12HE-G4
Maximum Output to Water (solid fuel):	12kW
Maximum Output to Water (solid fuel):	40968BTU
Maximum Output to Water (wood):	10kW
Maximum Output to Water (wood):	34140BTU
Nominal Output to Room:	2 - 6kW
Nett Efficiency (%):	71.5%
Height:	603mm
Width:	533mm
Depth:	412mm

Features

- Burns wood and solid fuel
- Large curved glass
- Pre-heated airwash system for sparkling clean glass
- Flue Exhaust Diversion System to improve performance
- Discretely positioned thermostatic control fitted as standard
- Accessible water sensor for easy maintenance
- Large riddling grate
- Stainless steel ash pan
- Self-levelling rear legs
- Top or rear flue fitting
- 5 year limited guarantee for all boilers registered online
- Up to 3 Bar operating pressure
- Suitable for installation in an indirect/open vented central heating system.

Accessories

- Arada Ash Carrier - Medium - [ARA017]
- Arada Universal Stand - [STAND002]
- Floor Fixing Kit - [AFS1135]
- Universal Stand/Log Store - [STAND004]

EB12HE-G4 - Technical Information

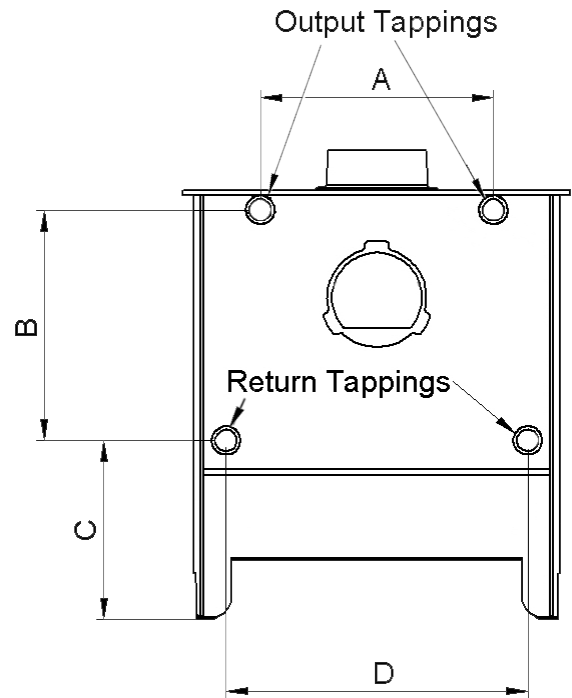
Code	EB12HE-G4
Minimum Nominal Output to Room:	2kW
Maximum Nominal Output to Room:	6kW
Maximum Output to Water (Solid Fuel):	12kW
Maximum Output to Water (Solid Fuel):	40968BTU
Maximum Output to Water (Wood):	10kW
Maximum Output to Water (Wood):	34140BTU
Nett Efficiency:	71.5 %
Height:	603mm
Width:	533mm
Depth:	412mm
Height to Centre of Rear Flue:	442mm
Added Height When on Stand:	125mm
Depth of Back to Centre of Top Flue:	149mm
Flue Diameter:	127mm
Suitable for 12mm Hearth:	No
Hearth Temperature:	135.6°C
Suitable for Direct Air Supply Kit:	No
Weight Packed:	119kg
Ideal Log Length:	350mm

Minimum Distance To Combustibles

To Rear of Stove	150 mm
To Sides of Stove	130 mm

Boiler Tapping Measurements

Distance A	326 mm
Distance B	324 mm
Distance C	252 mm
Distance D	422 mm



Freestanding Boiler Tapping Measurements.
Rear view example shown. Not to scale.